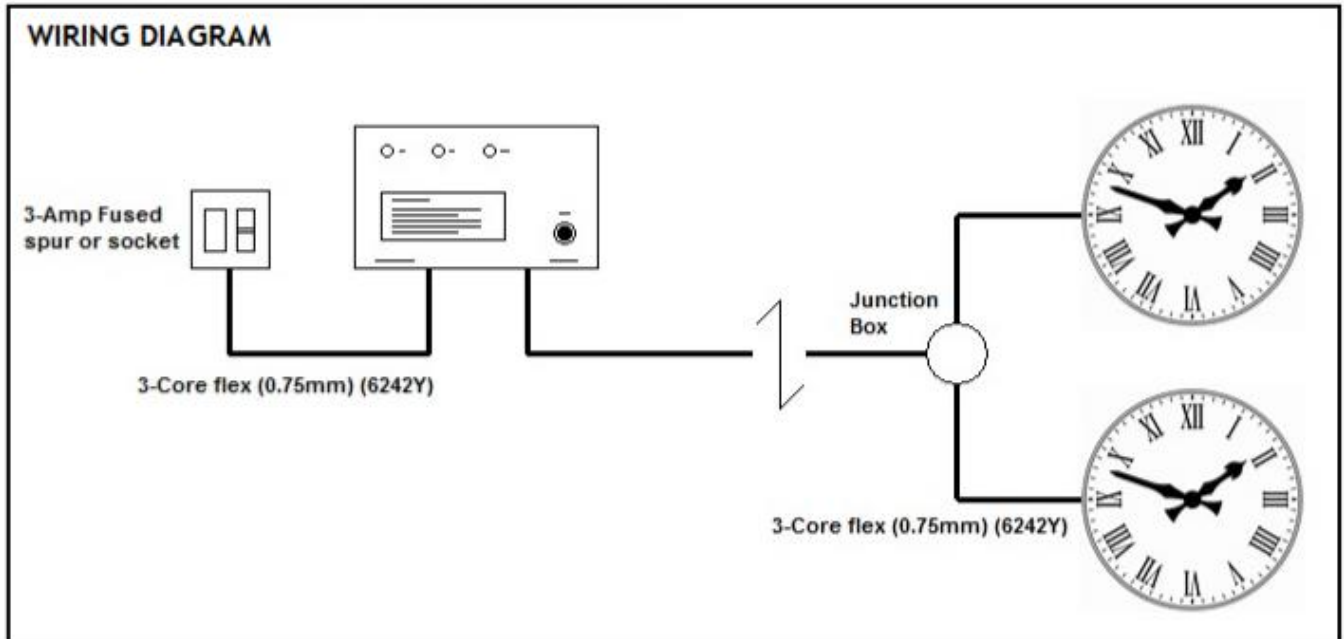
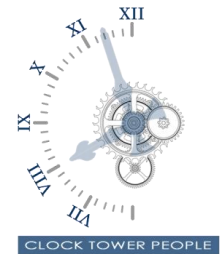


D300 – Automatic Clock Resynchroniser

www.clocktowerpeople.com

01/01/20

The Automatic Clock Controller (ACR) maintains and corrects the time on any mains driven electric clock, and also adjusts for daylight saving changes using a perpetual built in calendar. Following power failures, the unit will memorise the time and restart the clocks at the correct time after power is restored. Seasonal time adjustments are made by stopping the clock for an appropriate amount of time.



SETUP:

- If the clocks have been supplied new, then the hands will normally be positioned at 12o'clock. If fitting the hands yourself to a new motor, they should be fitted at 12o'clock making sure that the bosses and screws on the fixings do not touch each other. **DO NOT ATTEMPT TO TURN THE CLOCK HANDS ONCE SECURED.** This will damage the motor and invalidate the guarantee.
- Mount the ACR unit on a wall or beam using the four fixing holes on the sides of the unit. Position in a dry location away from other electrical devices or fluorescent lighting.
- Connect the mains input to a 5-Amp fused spur or plug but **do not switch power on.**
- Connect the output to up to four clocks using the supplied connector for one clock or a suitable junction box if there are multiple clocks.
- When **the time on the external clocks matches the real time**, switch on the mains and immediately press the black START button on the unit for no longer than one second, then release. The RED and YELLOW lights will flash and the clocks will start operating.
- From now on the unit will start and stop the clocks automatically and no adjustments should be made.

Indicator Lights:

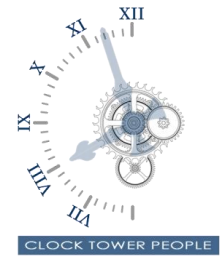
GREEN - Power supply on.

YELLOW – DST where applicable. Daylight saving time is active (e.g. British Summer time in the UK)

RED – The unit has stopped the clock and will restart it at the correct time

DO NOT OPEN THE UNIT – DOING SO WILL INVALIDATE THE GUARANTEE.

Clock Tower People Ltd, Unit 44, The Hop Pocket, Bishops Cleeve, Worcestershire, WR6 5BT
Tel: 01885 490719 Email: info@clocktowerpeople.com Website: www.clocktowerpeople.com

**FAULT DIAGNOSIS:**

Once the initial set up has been completed, there should be no requirement to make any adjustments.

Clocks Have Stopped - Green Light is OFF.	Check the fuse in the plug or the circuit breaker.
Clocks Have Stopped - Red light is ON within 12 hours of a power cut or seasonal change.	The unit is adjusting the time by stopping the power to the clocks for an appropriate time
Clocks have stopped – RED light is on for more than 12 hours.	<p>Another power cut occurred within 12 hours of the first power cut – the clock will restart 12 hours after the most recent power failure.</p> <p>Spikes in the power supply can disrupt the controller. If the RED light fails to go out press the “Cancel Adjust” button to restart the power (The RED light should go out).</p> <p>Then turn the Clock switch to OFF and wait for the real time to match the time on the external clocks. Now turn the clock switch to ON (Clocks should start running).</p>
Clocks do not adjust after a power failure or seasonal time change.	<p>Spikes in the power supply can disrupt the controller.</p> <p>If the RED light is ON, press the “Cancel Adjust” button – the light should go out.</p> <p>Turn the Clock switch to OFF and wait for the real time to match the time on the external clocks. Now turn the clock switch to ON (Clocks should start running).</p> <p>If the fault occurs again, please contact us.</p>
The RED light will not go out when pressing the “Cancel Adjust” button.	<p>Turn the mains supply off for five minutes and then turn on again. Now press the “Cancel Adjust” button again.</p> <p>Turn the Clock switch to OFF and wait for the real time to match the time on the external clocks. Now turn the clock switch to ON (Clocks should start running).</p>
The Green power light is ON and the Clock Switch light is ON but the clocks are not working.	<p>There could be a fault with the clock motor.</p> <p>Please contact us for further advice or refer to the motor datasheets.</p>